

10/100BASE(TX) ETHERNET SURGE AND LIGHTNING PROTECTOR

Surge Protectors Save Equipment and Money

Protect your 10BaseT or 100BaseTx devices from voltage surges and lightning strikes. A UPS claims to protect your computer from power line surges - but is it fully protected? Surges striking another Ethernet device can easily travel through network cabling to threaten your expensive computer, or worse - your irreplaceable data. If your network connects devices in different areas of your building, chances are multiple power systems supply your equipment. This means the potential for ground loops and other classic instrumentation faults is ever present. The solution is simple - install an inexpensive surge suppressor on each Ethernet port.

PRODUCT HIGHLIGHTS

- Advanced 3 stage hybrid protection
- Dual port – protects two Ethernet devices
- Save money on repair and replacement
- Modular and compact design
- DIN rail or direct panel mounting
- Protective grounding to DIN rail
- UL and CE rated for industrial use
- Compatible with Sixnet's Industrial Ethernet Switch

PERFORMANCE SPECIFICATIONS

- High energy metal oxide varistors (MOVs) with a double network of ultra-fast diodes and silicon avalanche diodes
- Usage: 10BaseT or 100BaseTx
- Ports protected: 2 (4 lines per port)
- Connectors: RJ45 (pins 1, 2, 3, 6)
- Surge capacity: 1 kA / line
- Clamp and rated: 10 V and 5 V
- Max. frequency: 155 MHz
- Operating temp.: -40 to +85 °C
- Attenuation: Better than -0.3 dB at 100 MHz
- N.E.X.T.: Better than -43 dB at 100 MHz
- Ratings: UL 497B, EIA/TIA (TSB 40A)

INSTALLATION INSTRUCTIONS

1. Snap to DIN rail or screw to panel. Make sure DIN rail is grounded. Use grounding kit if direct panel mounting.
2. Correct grounding is essential. Minimize distance from protector to ground point which should be common with AC GND.
3. Connect "unprotected" port to incoming line. Use supplied cable to connect "protected" port to device to be protected.
4. Important notes: Always use supplied patch cable. Ground leads should be 14AWG or larger and less than 12".

All specifications are subject to change. Consult factory for latest info.

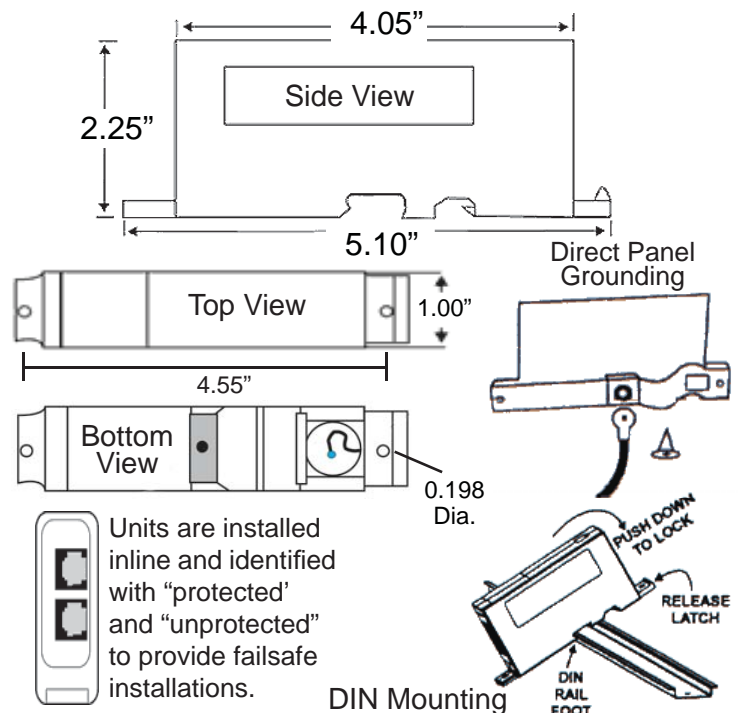
Sixnet Technology Park
331 Ushers Road • Ballston Lake, NY 12019 • USA
1.518.877.5173 • Fax 1.518.877.8346 • sales@sixnet.com



Protects:
Printers, PLC's, Computers, Hubs,
Ethernet I/O, Switches, Workstations,
and much more.



MECHANICAL DRAWING



ORDERING GUIDE

- SP-ETH-2 Dual port protector (1 piece)
- SP-ETH-2-5 Dual port protector (5 pack)

Notes: Each protector supplied with a grounding kit for direct panel mounting and two 4 ft. Ethernet patch cables (cat. 5).